



LORENTZEN & PLADSEN AS

TENSION BELT BUCKLE, item nr 5025005



DATASHEET

TECHNICAL SPECIFICATIONS

The high quality lashing strap fastener is equipped with a practical compression spring. It is suitable for lashing straps with a width of 25 mm for cargo protection .

Material	Stainless steel
Quality	A4 / AISI316
Surface	Blank

YOUR ADVANTAGES

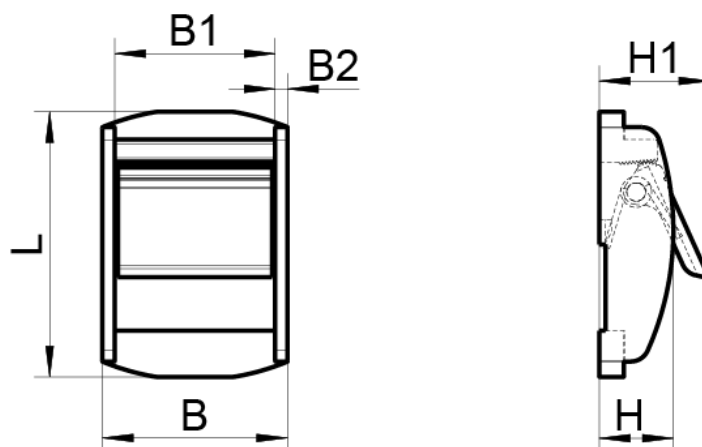


QUICK LOAD SECURING



EASY HANDLING

DIMENSIONS (MM)



Nom. dim.	L	B	B1	B2	H	H1
25	43	30	26	2	12	17,5